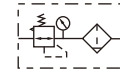


Preparation unit—GP Series

GPFR Series Precision Filter & Regulator

Symbol



Product feature

1. Circular square pressure gauge which with clip and magnifier is used to save installation space.
2. The pressed-in self-locking mechanism can prevent the abnormal movement of the set pressure caused by external interfere.
3. Balanced design is adopted for the pressure adjustment mechanism.
4. Unique diversion structure spins the air flowing through to effectively separate the liquid from the air and reliably filter the solid grain.
5. The filtering grade includes 0.3 μ m and 0.01 μ m (optional).
6. Two drain types are available: semi-auto drain and automatic drain.
7. Three material of bowl are available: PC, Nylon and metal.
8. The bracket can be selected for installation.

Specification

| Model | GPFR200-06 | GPFR200-08 | GPFR300-08 | GPFR300-10 | GPFR400-10 | GPFR400-15 |
|------------------------------|-----------------------------|------------|------------|------------|------------|------------|
| Fluid | Air | | | | | |
| Port size [Note1] | 1/8" | 1/4" | 1/4" | 3/8" | 3/8" | 1/2" |
| Filtering grade | 0.3 μ m or 0.01 μ m | | | | | |
| Pressure range | 0.15~0.9MPa(20~130psi) | | | | | |
| Max. pressure | 1.0MPa(145psi) | | | | | |
| Proof pressure | 1.5MPa(215psi) | | | | | |
| Temperature range | -5~70°C(Unfreeze) | | | | | |
| Rated flow capacity [Note 2] | M | 150L/min | | 330L/min | | 820L/min |
| | D | 90L/min | | 180L/min | | 450L/min |
| Capacity of drain bowl | 25CC | | 60CC | | 100CC | |
| Weight | 310g | | 500g | | 910g | |

[Note1] G thread, NPT thread and PT thread are available.

[Note2] Conditions: inlet pressure 0.7MPa, outlet pressure 0.5MPa. The rated flow varies with the inlet pressure. If the flow exceeds the rated flow, oil will flow to the secondary side. Please note.

Ordering code

GPFR300 □ 10 □ S □ □ M G

① ② ③ ④ ⑤ ⑥ ⑦ ⑧ ⑨

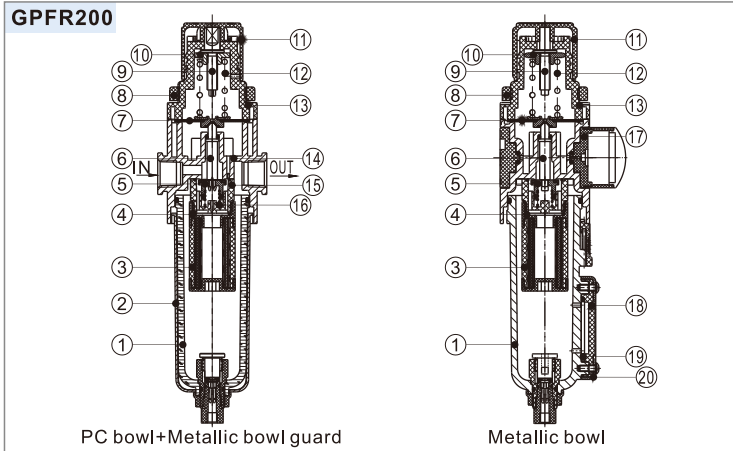
| ① Model | ② Material of bowl | ③ Port size | ④ Drain type | ⑤ Type code | ⑥ Accessories | ⑦ Pressure gauge | ⑧ Filtering grade | ⑨ Thread type |
|---|-----------------------------------|----------------------|--|--|---------------------------------|---|-----------------------------------|---|
| GPFR200:GP200 Series Precision filter-regulator | Blank: PC N: Nylon C: Metal | 06: 1/8" 08: 1/4" | Blank: Semi-auto drain +Manual drain A: Automatic drain | S: Standard L: Lower pressure [Note1] | Blank: Bracket J: No bracket | Blank: Circular with clip N: No pressure gauge [Note2] | M: 0.3 μ m D: 0.01 μ m | Blank: PT (MPa/psi) G: G(bar/MPa) T: NPT(psi/bar) |
| GPFR300:GP300 Series Precision filter-regulator | | 08: 1/4" 10: 3/8" | | | | | | |
| GPFR400:GP400 Series Precision filter-regulator | | 10: 3/8" 15: 1/2" | | | | | | |

[Note1] The maximum work pressure of lower pressure type is 58psi(0.4MPa). [Note2] Please refer to page 246 for details of sealing plate Installation.

Preparation unit—GP Series

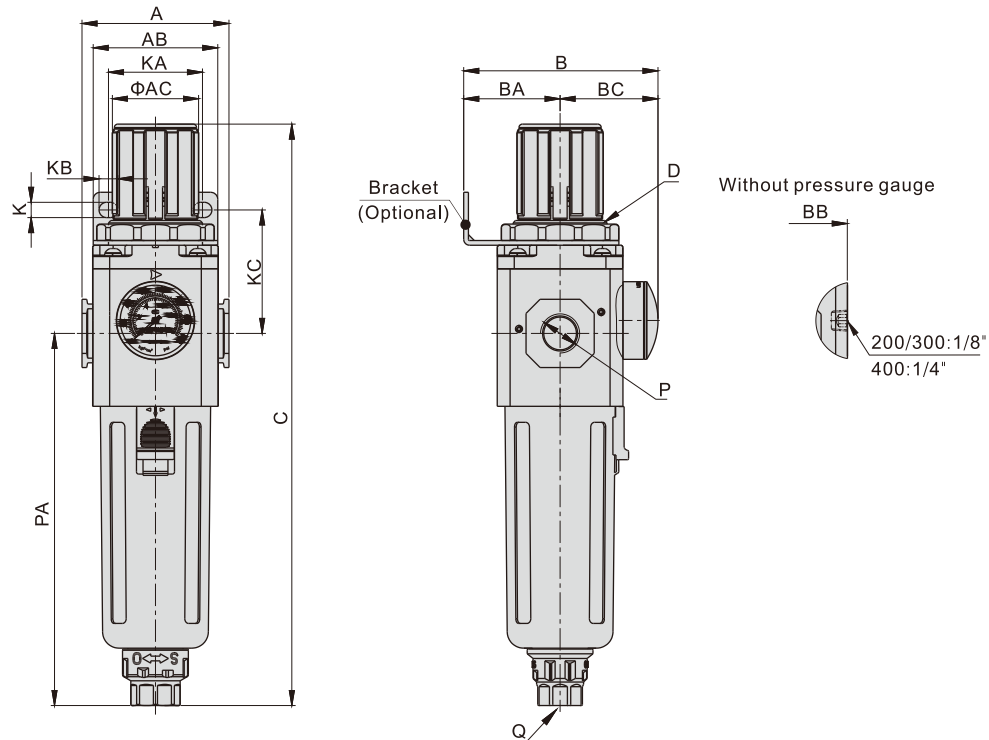
GPFR Series Precision Filter & Regulator

Inner structure



| No. | Item | Material |
|-----|---------------------------|--------------------------|
| 1 | Drain bowl | PC\nylon\aluminium alloy |
| 2 | Meter cover | SPCC |
| 3 | Filter core | Polymer materials |
| 4 | Gasket | NBR |
| 5 | Adjusting plug | Aluminum alloy & Rubber |
| 6 | Adjusting spool | POM |
| 7 | Diaphragm | NBR |
| 8 | Fixation ring cap | POM |
| 9 | Adjusting spindle | 08A |
| 10 | Regulator nut | Steel |
| 11 | Pressure knob | POM |
| 12 | Spring | SWPB |
| 13 | Adjusting seat | POM |
| 14 | Body of filter-regulator | Aluminium alloy |
| 15 | Gas distribution | POM |
| 16 | Spring | SWPB |
| 17 | Gauge | - |
| 18 | Liquid meter inside cover | PC |
| 19 | Liquid meter seal | NBR |
| 20 | Liquid meter cover | SPCC |

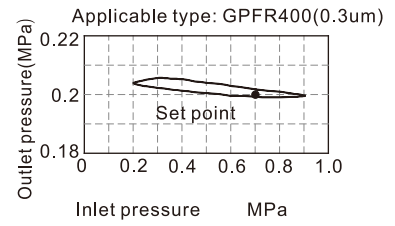
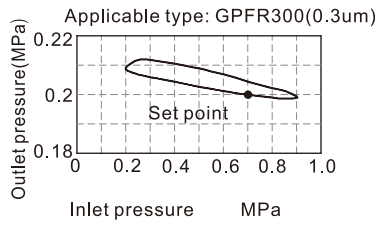
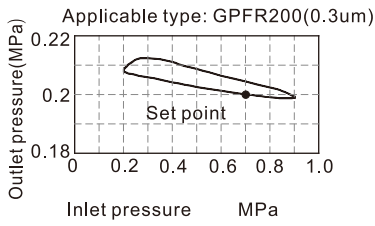
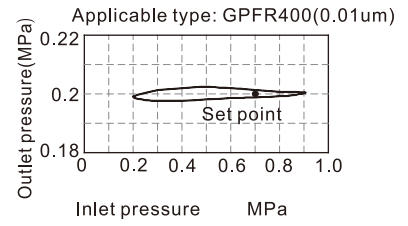
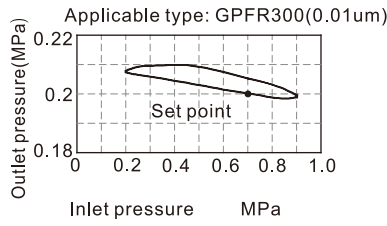
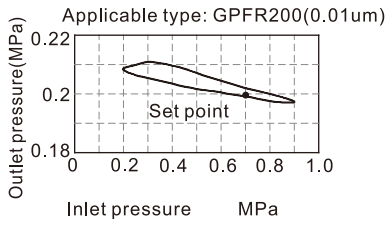
Dimensions



| Model\Item | A | AB | AC | B | BA | BB | BC | C | D | K | KA | KB | KC | P | PA | Q |
|------------|------|----|----|------|----|------|------|-------|---------|-----|----|------|------|------|-------|--------|
| GPFR200-06 | 52.5 | 55 | 31 | 69 | 30 | 51.5 | 39 | 192.5 | M33x1.5 | 5.4 | 34 | 15.4 | 52 | 1/8" | 120 | M5X0.8 |
| GPFR200-08 | 52.5 | 55 | 31 | 69 | 30 | 51.5 | 39 | 192.5 | M33x1.5 | 5.4 | 34 | 15.4 | 52 | 1/4" | 120 | M5X0.8 |
| GPFR300-08 | 62.5 | 53 | 38 | 82.5 | 41 | 67.5 | 41.5 | 247 | M40x1.5 | 6.5 | 40 | 8 | 52.5 | 1/4" | 158 | G1/4 |
| GPFR300-10 | 62.5 | 53 | 38 | 82.5 | 41 | 67.5 | 41.5 | 247 | M40x1.5 | 6.5 | 40 | 8 | 52.5 | 3/8" | 158 | G1/4 |
| GPFR400-10 | 80 | 72 | 52 | 99 | 50 | 84 | 49 | 285.5 | M55x2.0 | 8.5 | 55 | 11 | 57 | 3/8" | 177.5 | G1/4 |
| GPFR400-15 | 80 | 72 | 52 | 99 | 50 | 84 | 49 | 285.5 | M55x2.0 | 8.5 | 55 | 11 | 57 | 1/2" | 177.5 | G1/4 |

GPFR Series Precision Filter & Regulator

Pressure chart



Flow chart

