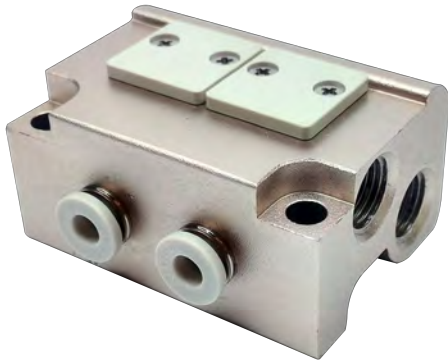


Micro-solenoid valve(3/2 way)

CPV15 Series — Manifold



Specification

Model	CPV15M2F	CPV15M3F	CPV15M4F	CPV15M20F
Fluid	Air(to be filtered by 40µm filter element)				
Temperature	-20~70°C				
Port size	P/R ports		1/8"[Note1]		
	A port	PT thread	Φ4mm(Push in fittings)		
		G thread	Φ4mm(Push in fittings)		
		NPT thread	Φ5/32"(Push in fittings)		
Applicable valves	CPV15 series micro-solenoid valve				

[Note1] PT thread, G thread and NPT thread are available.

Product feature

1. Integrated installation saves space and reduces additional accessories.
2. Centralized air intake, exhaust, and wiring for quick air circuit checking.
3. Flexible combination and expandability for various applications. Blank plates are optional.

Ordering code

Ordering code for manifold

CPV15M 20F □		
① Model	② Number of stations	③ Thread type
CPV15M: CPV15 series manifold	2F: 2 stations 3F: 3 stations 4F: 4 stations 20F: 20 stations	Blank: PT G: G T: NPT

Ordering code for blank plate

P-CPV15S-R2	
① Model	② Code
CPV15S: CPV15S series integrated solenoid valve	R2: Blank plate for manifold

- [Note] 1. Ordering code contains manifold and blank plate.
2. Maximum station up to 20 stations.

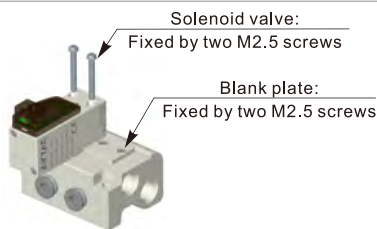
3. Blank plate kits contain blank plate, gasket and screw.



Installation and Application

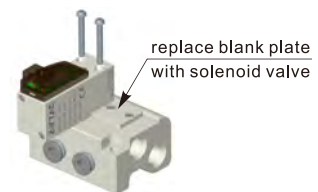
Assembly of micro-solenoid valve (blank plate) and manifold

Mount micro-solenoid valve and manifold by two M2.5 screws as following .
Mount blank plate and manifold by two M2.5 countersunk screws as following .



Expansion of micro-solenoid valve

Remove blank plate and install solenoid valve by the assembly instruction.



A port tubing

A port is at the side of manifold with push in fittings

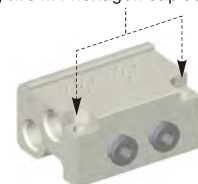


A(with push in fittings)
(PT, G thread: Φ4mm
NPT thread: Φ5/32" tube)

Manifold mounting

Both sides of manifold attach two installing through-holes, using two M4 hexagon cap screws to fix.

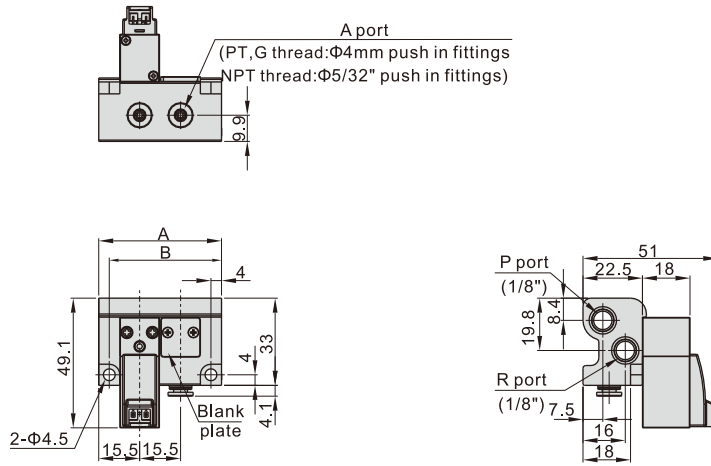
Installing through-holes
(using two M4 hexagon cap screws to fix)



Micro-solenoid valve(3/2 way)

CPV15 Series — Manifold

Dimensions



Item\Number of stations	2F	3F	4F	5F	6F	7F	8F	9F	10F	11F	12F	13F	14F	15F	16F	17F	18F	19F	20F
A	46.5	62	77.5	93	108.5	124	139.5	155	170.5	186	201.5	217	232.5	248	263.5	279	294.5	310	325.5
B	38.5	54	69.5	85	100.5	116	131.5	147	162.5	178	193.5	209	224.5	240	255.5	271	286.5	302	317.5