

Fluid control valve(2/2 way)

2KWA Series (Direct-acting and normally opened)



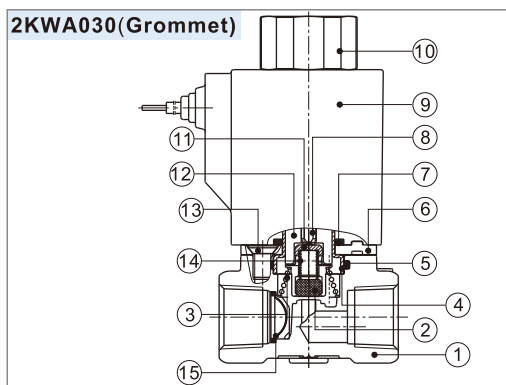
Symbol



Product feature

1. Direct acting and normally opened type 2/2 way fluid valve. Its high sensibility allows it to change direction quickly;
2. It has wide pressure range, including extra high pressure (X), high pressure (H), standard and large volume(L) to choose from;
3. It is compact, small size and light weight. Easy to install and dismantle.
4. The valve body is made of brass . Its coil has a Heat resistance classification of Class F. The standard seal material is FPM-F. Please contact us if other seal material are required.
5. The protection class of the coil is IP65 and there is a choice for grommet or terminal electrical entry .

Inner structure



No.	Item	No.	Item	No.	Item
1	Body	6	Fixed plate	11	Airtight bush
2	Airtight ring	7	O-ring	12	Electromagnet
3	Spring	8	Mandril	13	Screw
4	Coil axis	9	Coil assembly	14	Spring
5	O-ring	10	Coil nut	15	Filter

Specification

Model/Item	Port size [Note1]	Cv	Orifice size (Φmm)	Valid area or section (mm ²)	Weight [Note2](g)	Max.operating pressure differentia		Proof pressure	
						MPa	psi	Mpa	psi
2KWAX030	-06 1/8"	0.10	1.5	1.8	245	2.0	300	3.0	450
	-08 1/4"								
2KWAH030	-06 1/8"	0.18	2.0	3.0	245	1.5	220		
	-08 1/4"								
2KWA030	-06 1/8"	0.33	3.0	6.0	245	0.7	100		
	-08 1/4"								
2KWAL030	-06 1/8"	0.55	4.0	10.0	245	0.4	60		
	-08 1/4"								
2KWAX050	-10 3/8"	0.34	3.0	6.1	530	2.0	300		
	-15 1/2"								
2KWAH050	-10 3/8"	0.55	4.0	10.0	530	1.5	220		
	-15 1/2"								
2KWA050	-10 3/8"	0.83	5.0	15.0	530	0.7	100		
	-15 1/2"								
2KWAL050	-10 3/8"	1.40	7.0	25.0	530	0.4	60		
	-15 1/2"								

[Note1] PT thread, G thread and NPT thread are available.

[Note2] The weight in the table is the terminal valve's weight, 2KWA030 series grommet valve's weight is 10g less than terminal's. 2KWA050series grommet valve's weight is 20g less than terminal's.

Specification of coil

Valve type	Coil type	Power type	Frequency (Hz)	Voltage range	Electrical entry	Power Consumption (VA/W)	Insulation	Temp. rise(°C)
2KWA□030	CDA110 CLA110	AC	50	±15%	Terminal (CDA)	15.0VA	Class F	50
			60			11.0VA		45
		DC	-	±10%		6.5W		50
2KWA□050	CDA160 CLA160	AC	50	±15%	Grommet (CLA)	35.0VA		65
			60			30.0VA		60
		DC	-	±10%		12.0W		50

Valve's specification

Acting	Direct acting				
Initial state	Normally opened				
Adaptable fluid	Air, Water, Oil				
Viscosity limit	Under 20CST				
Ambient and fluid temperature (°C)		Water	Air	Oil	Ambient
	Max.	80	90	80	70
	Min.	1	-20 [Note1]	-10 [Note2]	-20

[Note1] Dew point: -20(°C) or less ; [Note2] 50CST or less.

Ordering code

Ordering code of valves

2KWA H 030 08 A □ □



① Model	② Pressure condition	③ Size series	④ Port size	⑤ Voltage	⑥ Electrical entry	⑦ Thread type
2KWA: 2/2 way direct-acting and normally opened	X: Extra high pressure H: High pressure Blank: Standard L: Large volume	030: 030 Series 050: 050 Series	06: 1/8" 08: 1/4" 10: 3/8" 15: 1/2"	A: AC220V B: DC24V C: AC110V E: AC24V F: DC12V	Blank: Terminal I: Grommet[Note]	Blank: PT G: G T: NPT

[Note] The wire length is 0.5m.

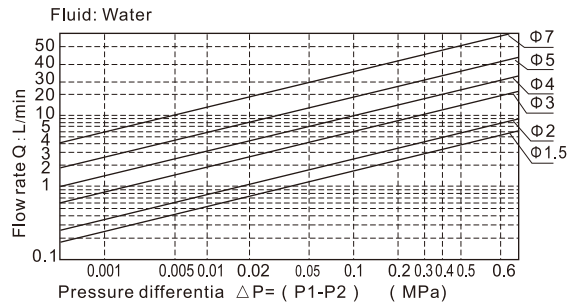
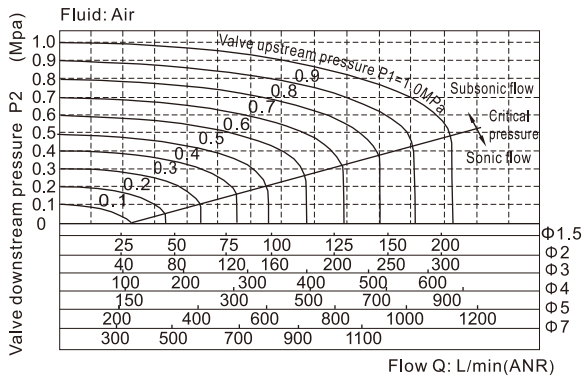
Ordering code of accessories

Ordering code of accessories is the same as 2WA series valve's, Please refer to P169 for details of ordering code.

Fluid control valve(2/2 way)

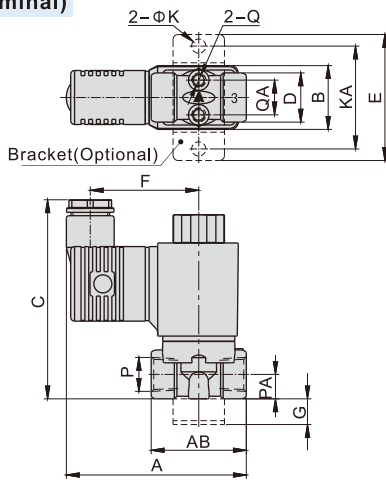
2KWA Series (Direct-acting and normally opened)

Flow chart

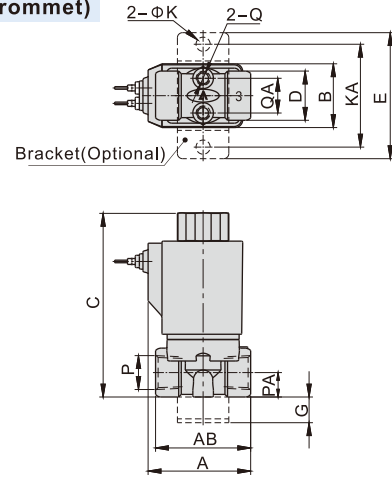


Dimensions

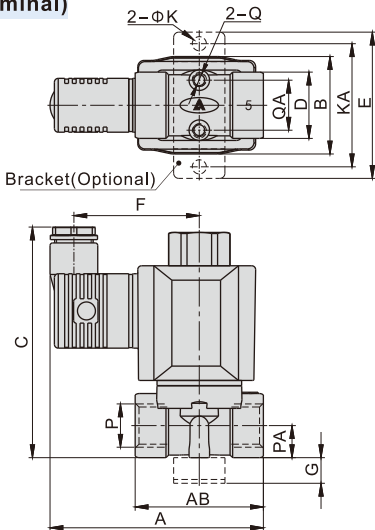
2KWA□030 (Terminal)



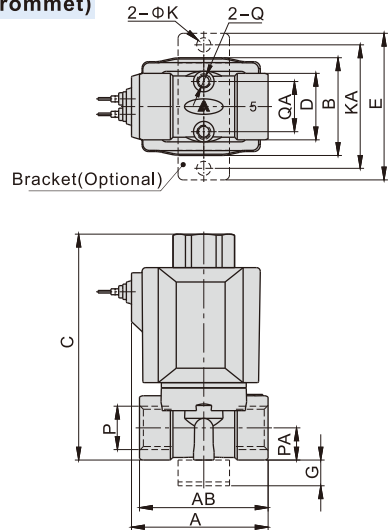
2KWA□030(Grommet)



2KWA□050(Terminal)



2KWA□050(Grommet)



Model\Item	A	AB	B	C	D	E	F	G	K	KA	P	PA	Q	QA
2KWA□030-06	70	37	25	77.5	19	49	42	10	5.5	40	1/8"	9.5	M5	13.5
2KWA□030-08	70	37	25	77.5	19	49	42	10	5.5	40	1/4"	9.5	M5	13.5
2KWA□050-10	83	50	38	90	26	57	49	10	5.5	48	3/8"	12.5	M5	19.5
2KWA□050-15	83	50	38	90	26	57	49	10	5.5	48	1/2"	12.5	M5	19.5

Model\Item	A	AB	B	C	D	E	G	K	KA	P	PA	Q	QA
2KWA□030-06	40	37	25	74	19	49	10	5.5	40	1/8"	9.5	M5	13.5
2KWA□030-08	40	37	25	74	19	49	10	5.5	40	1/4"	9.5	M5	13.5
2KWA□050-10	53	50	38	90	26	57	10	5.5	48	3/8"	12.5	M5	19.5
2KWA□050-15	53	50	38	90	26	57	10	5.5	48	1/2"	12.5	M5	19.5

Fluid control valve(2/2 way)

2KWA Series (Internally piloted and normally opened)



Specification

Model\Item	Port size [Note1]	Orifice size (Φmm)	Cv	Valid area or section (mm ²)	Weight [Note2](g)	Operating pressure differentia		Proof pressure	
						MPa	psi	MPa	psi
2KWA150-15	1/2"	15.0	5.50	100.0	575	Max: 0.7 Min: 0.05	Max: 100 Min: 10	1.5	220
2KWA200-20	3/4"	20.0	9.50	170.0	735				
2KWA250-25	1"	25.0	12.5	220.0	1035				

[Note1] PT thread, G thread and NPT thread are available.

[Note2] The weight in the table is the terminal valve's weight, grommet valve's weight is 10g less than terminal's.

Specification of coil

Valve type	Coil type	Power type	Frequency (Hz)	Voltage range	Electrical entry	Power Consumption (VA/W)	Insulation	Temp. rise(°C)
2KWA150	CDA110	AC	50	±15%	Terminal (CDA)	15.0VA	Class F	50
2KWA200	CLA110		60			11.0VA		45
2KWA250		DC	-	±10%	Grommet (CLA)	6.5W		50

Symbol



Product feature

1. Indirect acting (Internal pilot) and normally opened type 2/2 way fluid valve. It can change direction quickly and has large flow.
2. It is compact, small and light weight. Easy to install and dismantle;
3. The valve body is made of brass. The coil has a Heat resistance classification of Class F. The standard seal material is FPM-F. Please contact us if other seal material are required.
4. The protection class of the coil is IP65 and there is a choice for grommet or terminal electrical entry.

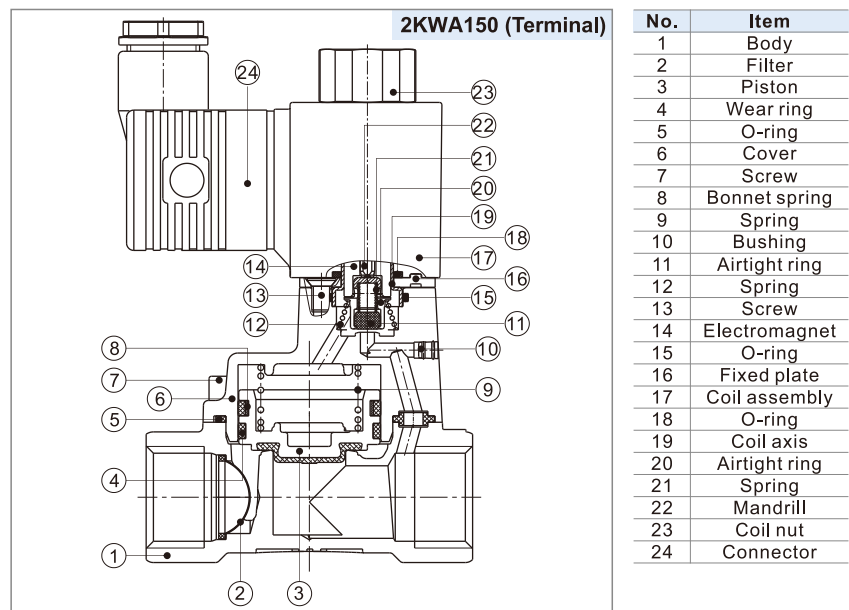
Valve's specification

Acting	Internally piloted				
	Initial state	Normally opened			
Adaptable fluid	Air, Water, Oil				
Viscosity limit	Under 20CST				
Ambient and fluid temperature (°C)		Water	Air	Oil	Ambient
	Max.	80	90	80	70
	Min.	1	-20 [Note1]	-10 [Note2]	-20

[Note1] Dew point: -20(°C) or less ;

[Note2] 50CST or less.

Inner structure



Ordering code

Ordering code of valves

2KWA 150 15 A □ □

① ② ③ ④ ⑤ ⑥

① Model	② Orifice size	③ Port size	④ Voltage	⑤ Electrical entry	⑥ Thread type
2KWA: 2/2 way internally piloted and normally opened	150: Φ15mm	15: 1/2"	A: AC220V B: DC24V C: AC110V E: AC24V F: DC12V	Blank: Terminal I: Grommet [Note]	Blank: PT G: G T: NPT
	200: Φ20mm	20: 3/4"			
	250: Φ25mm	25: 1"			

[Note] The wire length is 0.5m.

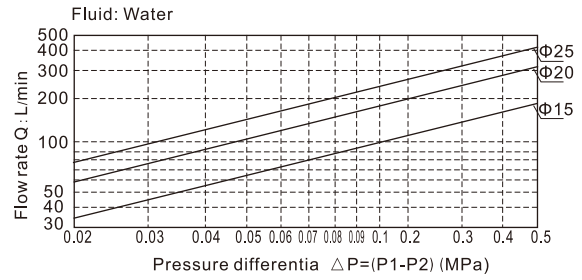
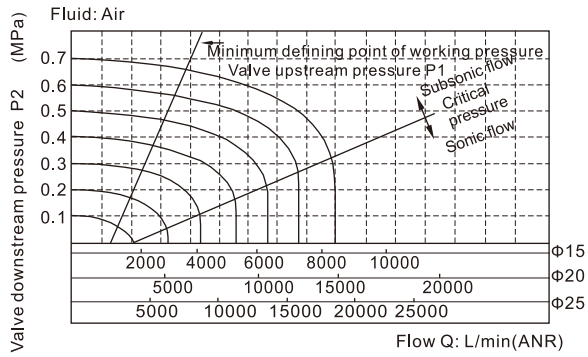
Ordering code of accessories

Ordering code of accessories is the same as 2WA series valve's. Please refer to P171 for details of ordering code.

Fluid control valve(2/2 way)

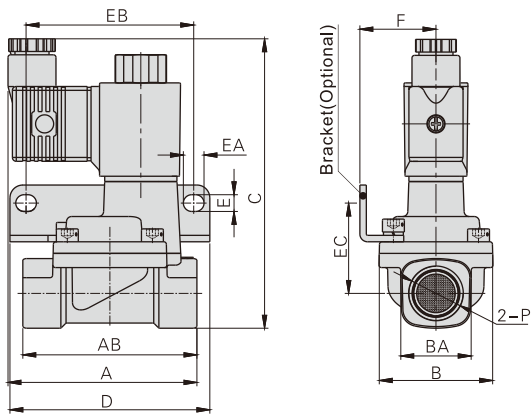
2KWA Series (Internally piloted and normally opened)

Flow chart

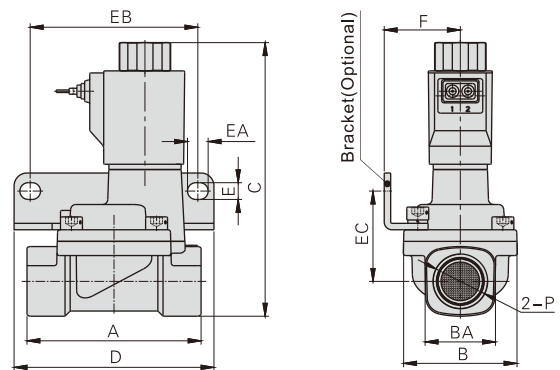


Dimensions

Terminal



Grommet



Model\Item	A	AB	B	BA	C	D	E	EA	EB	EC	F	P
2KWA150-15	73.5	67.5	44	27.5	112	77.5	6.5	8	65	35	29.5	1/2"
2KWA200-20	75.5	79.5	51	33.5	119	87.5	6.5	8	75	38	33	3/4"
2KWA250-25	77.5	90	57	40.5	126	93	6.5	8	80	42	35	1"

Model\Item	A	B	BA	C	D	E	EA	EB	EC	F	P
2KWA150-15	67.5	44	27.5	109	77.5	6.5	8	65	35	29.5	1/2"
2KWA200-20	79.5	51	33.5	116	87.5	6.5	8	75	38	33	3/4"
2KWA250-25	90	57	40.5	123	93	6.5	8	80	42	35	1"