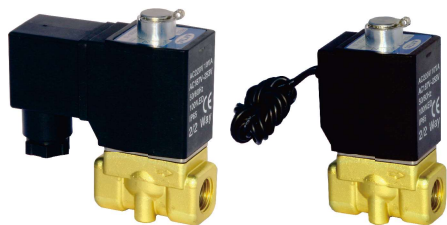


Fluid control valve(2/2 way)

2KW Series (Direct-acting and normally opened)



Symbol

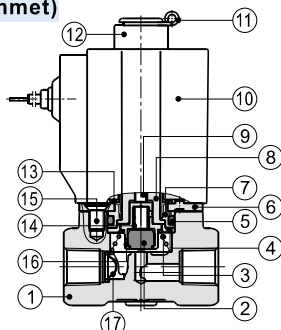


Product feature

1. Direct acting and normally opened type 2/2 way solenoid valve. Its high sensibility allows it to change direction quickly;
2. It has wide pressure range, including extra high pressure (X), high pressure (H), standard and large volume(L) to choose from;
3. It is compact, small size and light weight. It is easy to install and dismantle.
4. The valve body is made of brass . Its coil has a Heat resistance classification of Class B. The standard seal material is FPM-F. Please contact us if other material are required.
5. The protection class of the coil is IP65 and there is a choice for grommet or terminal electrical entry .

Inner structure

2KW030(Grommet)



No.	Item	No.	Item
1	Body	10	Coil assembly
2	Airtight ring	11	E Clip
3	Spring	12	Position ring
4	Bead flange	13	Washer
5	O-ring	14	Spring
6	Fixed plate	15	Screw
7	Fixed cap	16	Airtight bush
8	Electromagnet	17	Filter
9	Mandril		

Specification

Model/Item	Port size [Note1]	Orifice size (Ømm)	Cv	Valid area or section (mm ²)	Weight [Note2](g)	Max.operating pressure differentia		Proof pressure	
						MPa	psi	MPa	psi
2KWX030	-06 1/8"	1.5	0.10	1.8	315	2.0	300	3.0	450
	-08 1/4"				305				
2KWH030	-06 1/8"	2.0	0.18	3.0	315	1.5	220	3.0	450
	-08 1/4"				305				
2KW030	-06 1/8"	3.0	0.33	6.0	315	0.7	100	3.0	450
	-08 1/4"				305				
2KWL030	-06 1/8"	4.0	0.55	10.0	315	0.4	60	3.0	450
	-08 1/4"				305				
2KWX050	-10 3/8"	3.0	0.34	6.1	635	2.0	300	3.0	450
	-15 1/2"				615				
2KWH050	-10 3/8"	4.0	0.55	10.0	635	1.5	220	3.0	450
	-15 1/2"				615				
2KW050	-10 3/8"	5.0	0.83	15.0	635	0.7	100	3.0	450
	-15 1/2"				615				
2KWL050	-10 3/8"	7.0	1.40	25.0	635	0.4	60	3.0	450
	-15 1/2"				615				

[Note1] PT thread, G thread and NPT thread are available.

[Note2] The weight in the table is the terminal valve's weight, 2KW030 series grommet valve's weight is 10g less than terminal's. 2KW050series grommet valve's weight is 20g less than terminal's.

Specification of coil

Valve type	Coil type	Power type	Frequency (Hz)	Voltage range	Electrical entry	Power Consumption (VA/W)	Insulation	Temp. rise(°C)
2KW□030	CDA116 CLA116	AC	50	±15%	Terminal (CDA)	15.0VA	Class B	50
			60			11.0VA		40
		DC	-	±10%		6.5W		30
2KW□050	CDA170 CLA170	AC	50	±15%	Grommet (CLA)	35.0VA	Class B	65
			60			30.0VA		60
		DC	-	±10%		12.0W		40

Valve's specification

Acting		Direct acting			
Initial state		Normally opened			
Adaptable fluid		Air, Water, Oil			
Viscosity limit		Under 20CST			
Ambient and fluid temperature (°C)		Water	Air	Oil	Ambient
	Max.	80	90	80	70
	Min.	1	-20 [Note1]	-10 [Note2]	-20

[Note1] Dew point: -20(°C) or less ;

[Note2] 50CST or less.

Ordering code

Ordering code of valves

2KW H 030 08 A □ □



① Model	② Pressure condition	③ Size series	④ Port size	⑤ Voltage	⑥ Electrical entry	⑦ Thread type
2KW: 2/2 way direct-acting and normally opened	X: Extra high pressure H: High pressure Blank: Standard L: Large volume	030: 030 Series 050: 050 Series	06: 1/8" 08: 1/4" 10: 3/8" 15: 1/2"	A: AC220V B: DC24V C: AC110V E: AC24V F: DC12V	Blank: Terminal I: Grommet[Note]	Blank: PT G: G T: NPT

[Note] The wire length is 0.5m.

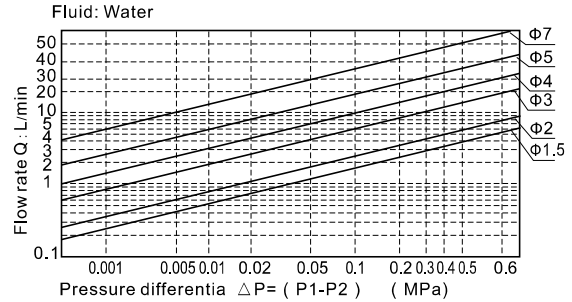
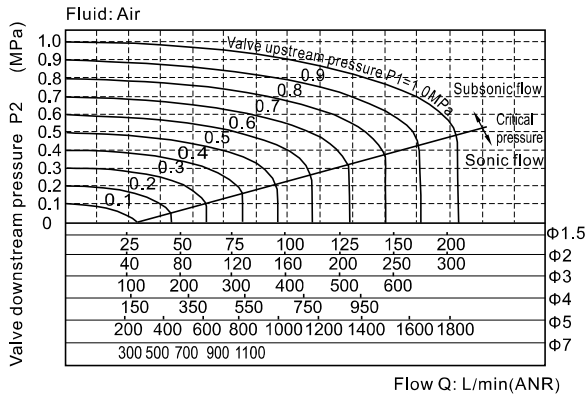
Ordering code of accessories

Ordering code of accessories is the same as 2S series valve's, Please refer to P194 for details of ordering code.

Fluid control valve(2/2 way)

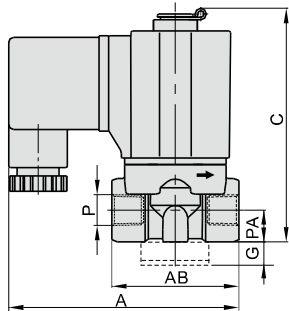
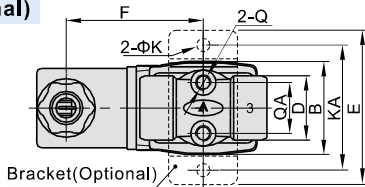
2KW Series (Direct-acting and normally opened)

Flow chart

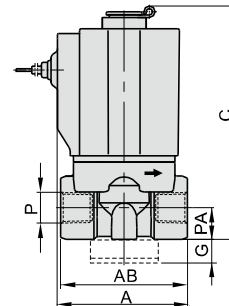
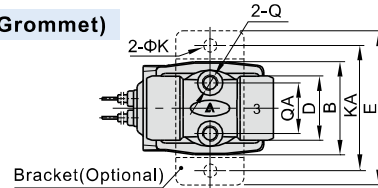


Dimensions

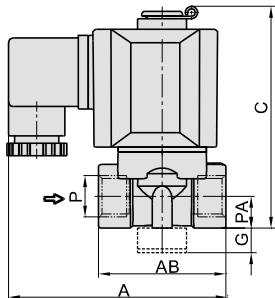
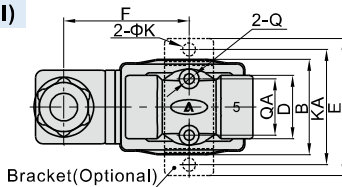
2KW□030 (Terminal)



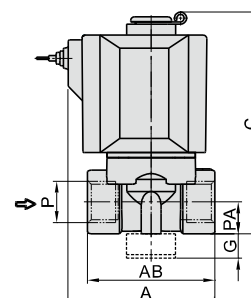
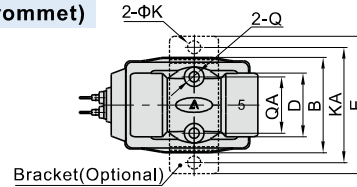
2KW□030(Grommet)



2KW□050 (Terminal)



2KW□050(Grommet)

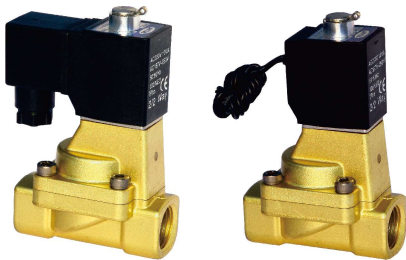


Model\Item	A	AB	B	C	D	E	F	G	K	KA	P	PA	Q	QA
2KW□030-06	72.5	40	29.5	76	20	49	43.5	10	5.3	40	1/8"	10	M5	16
2KW□030-08	72.5	40	29.5	76	20	49	43.5	10	5.3	40	1/4"	10	M5	16
2KW□050-10	89.5	52	39	92	26	56	51	10	5.3	48	3/8"	13	M5	23
2KW□050-15	89.5	52	39	92	26	56	51	10	5.3	48	1/2"	13	M5	23

Model\Item	A	AB	B	C	D	E	G	K	KA	P	PA	Q	QA
2KW□030-06	41	40	29.5	76	20	49	10	5.3	40	1/8"	10	M5	16
2KW□030-08	41	40	29.5	76	20	49	10	5.3	40	1/4"	10	M5	16
2KW□050-10	60	52	39	92	26	56	10	5.3	48	3/8"	13	M5	23
2KW□050-15	60	52	39	92	26	56	10	5.3	48	1/2"	13	M5	23

Fluid control valve(2/2 way)

2KW Series (Internally piloted and normally opened)



Symbol

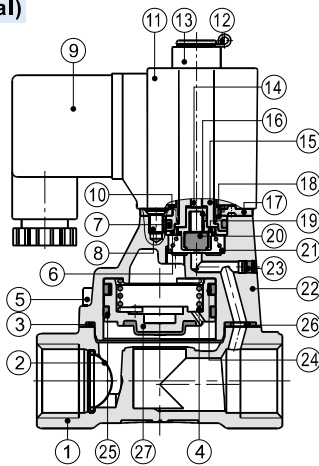


Product feature

1. Indirect acting (Internal pilot) and normally opened type 2/2 way solenoid valve. It can change direction quickly and has large flow.
2. It is compact, small and light weight. It is easy to install and dismantle;
3. The valve body is made of brass. The coil has a Heat resistance classification of Class B. The standard seal material is FPM-F. Please contact us if other material are required.
4. The protection class of the coil is IP65 and there is a choice for grommet or terminal electrical entry.

Inner structure

2KW150 (Terminal)



No.	Item	No.	Item	No.	Item
1	Body	10	Washer	19	Airtight bushing
2	Filter	11	Coil assembly	20	Airtight ring
3	O-ring	12	E Clip	21	Spring
4	Spring	13	Position ring	22	Cover
5	Screw	14	Mandril	23	Plug
6	Bead flange	15	Movable core	24	Bonnet spring
7	O-ring	16	Spring	25	Wear ring
8	Screw	17	Fixed plate	26	Spacer
9	Connector	18	Fixed cap	27	Piston

Ordering code

Ordering code of valves

2KW 150 15 A □ □

① ② ③ ④ ⑤ ⑥

① Model	② Orifice size	③ Port size	④ Voltage	⑤ Electrical entry	⑥ Thread type
2KW: 2/2 way internally piloted and normally opened	150: ϕ 15mm	15: 1/2"	A: AC220V B: DC24V	Blank: Terminal I: Grommet[Note]	Blank:PT G: G T: NPT
	200: ϕ 20mm	20: 3/4"	C: AC110V E: AC24V		
	250: ϕ 25mm	25: 1"	F: DC12V		

[Note] The wire length is 0.5m.

Ordering code of accessories

Ordering code of accessories is the same as 2S series valve's, Please refer to P196 for details of ordering code.

Specification

Model\Item	Port size [Note1]	Orifice size (ϕ mm)	Cv	Valid area or section (mm^2)	Weight [Note2](g)	Operating pressure differential		Proof pressure	
						MPa	psi	MPa	psi
2KW150-15	1/2"	15.0	5.50	100.0	730	Max: 0.7 Min: 0.05	Max: 100 Min: 10	1.5	220
2KW200-20	3/4"	20.0	9.50	170.0	960				
2KW250-25	1"	25.0	12.5	220.0	1210				

[Note1] PT thread, G thread and NPT thread are available.

[Note2] The weight in the table is the terminal valve's weight, grommet valve's weight is 10g less than terminal's.

Specification of coil

Valve type	Coil type	Power type	Frequency (Hz)	Voltage range	Electrical entry	Power Consumption (VA/W)	Insulation	Temp. rise($^{\circ}\text{C}$)
2KW150	CDA116	AC	50	$\pm 15\%$	Terminal (CDA)	15.0VA	Class B	50
2KW200			60			11.0VA		40
2KW250	CLA116	DC	-	$\pm 10\%$	Grommet (CLA)	6.5W		30

Valve's specification

Acting	Internally piloted				
Initial state	Normally opened				
Adaptable fluid	Air, Water, Oil				
Viscosity limit	Under 20CST				
Ambient and fluid temperature ($^{\circ}\text{C}$)		Water	Air	Oil	Ambient
	Max.	80	90	80	70
	Min.	1	-20 [Note1]	-10 [Note2]	-20

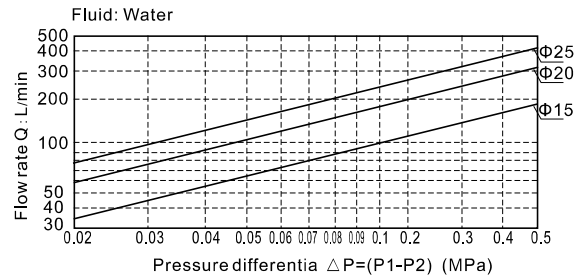
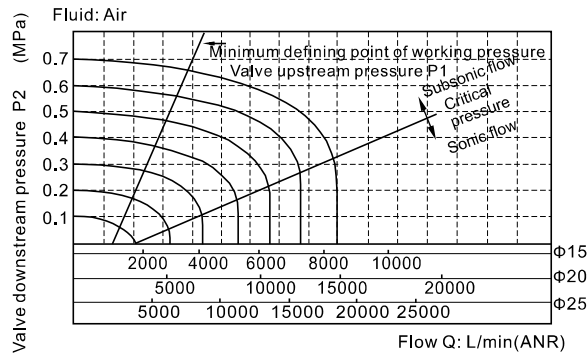
[Note1] Dew point: $-20(^{\circ}\text{C})$ or less ;

[Note2] 50CST or less.

Fluid control valve(2/2 way)

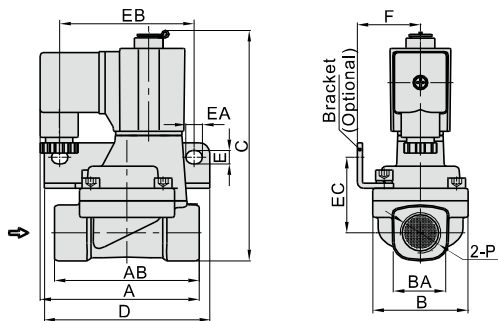
2KW Series (Internally piloted and normally opened)

Flow chart



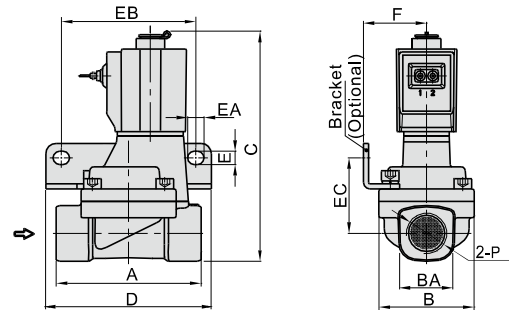
Dimensions

Terminal



Model\Item	A	AB	B	BA	C	D	E	EA	EB	EC	F	P
2KW150-15	77	70	46	27.5	112.5	80	6.4	8	65	36.5	30.5	1/2"
2KW200-20	78.5	82	53	33.5	121	90	6.4	8	75	40	34	3/4"
2KW250-25	81	92	59	40.5	129.5	95	6.4	8	80	44.5	36	1"

Grommet



Model\Item	A	B	BA	C	D	E	EA	EB	EC	F	P
2KW150-15	70	46	27.5	112.5	80	6.4	8	65	36.5	30.5	1/2"
2KW200-20	82	53	33.5	121	90	6.4	8	75	40	34	3/4"
2KW250-25	92	59	40.5	129.5	95	6.4	8	80	44.5	36	1"